

# SPACE

REPUBLIC OF **Fritz Hansen**®

The Space lounge series is designed by the German design duo Jehs+Laub and comprises a lounge table and lounge chair in a dynamic design and new materials. The light look of the chair can be varied through a choice of different colours and upholstery to adapt the series to the individual space – both in the lounge area and in the private home.

Design: Jehs + Laub



# SPACE: LOUNGE CHAIR

## DESIGN

Markus Jehs and Jürgen Laub, 2007

## DESCRIPTION

Lounge chair with plastic seat and divided front upholstery in fabric or leather. For rest/waiting areas, lounges or the home.

## FINISH

The seat is made of injection-moulded fibre-reinforced lacquered plastic. Comes in 3 colors: black, white and silver. The black shell also comes in a matte soft feel lacquer. The base is silver, black or white lacquered steel with transparent leg buttons. There is a black spacer block between seat and base.

## VARIANTS

The base comes with and without swivel function. Padding in fire-retardant foam is available.

## DIMENSIONS

Height	76 cm
Seat height	39 cm
Width	85 cm
Weight	18,5 kg

## UPHOLSTERY

Standard fabrics: Fame, Hallingdal, Divina, Divina Melange, Flavour, Tempo, Gloss and Wafer.

Leather: soft leather, Elegance, white leather and light natural-colored leather.

## MAINTENANCE

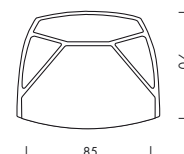
Clean the lacquered plastic shell by wiping with a dry cloth. To remove stubborn spots, use a cloth wrung out in lukewarm water. If this does not remove the spot, a weak solution containing a universal cleaning agent or dish detergent may be used. Afterwards, wipe with a cloth wrung out in clean water and then dry with a dry cloth.

The lacquered base can be wiped with a dry or moist cloth and then dried with a dry cloth.

The fabric or leather is to be cleaned and maintained as specified in the directions that come with the chair or according to the manufacturer's instructions.



JL 10 - JL 11



# SPACE: LOUNGE CHAIR

## ENVIRONMENTAL FRIENDLINESS AND TESTING

The chair can be completely disassembled into parts to be recycled or incinerated.

EN 1728: strength and durability, level 4 according to DS/INF 130.

EN 1022: stability: complied with in the case of the nonswivelling chair base.

EN 1021 (BS 5852: ignition source 0 + 1): fire. Cigarettes and matches.\*

CAL 117: fire.\*

BS 5952: fire, crib 5.\*

\*Test method depends on local/national standards. Only complied with in the case of certain types of fabric.

## GUARANTEE

A five-year guarantee against manufacturing defects in standard products (materials and workmanship). Wear, tear and damage to the product is not covered under this warranty. Claims from end users under the guarantee must be submitted to the vendor from whom the product was purchased. All measurements are indicative.

## PACKAGING

The chair comes packed in a foam bag and a cardboard box. All measurements are for guidance only.

Height:	83 cm
Width:	93 cm
Depth:	85 cm
Weight incl. packaging:	24,5 kg

June 2008

# SPACE: LOUNGE TABLE

## DESIGN

Markus Jehs og Jürgen Laub, 2007

## DESCRIPTION

Lounge table with a glass or walnut tabletop and lacquered steel base. For rest/waiting areas, lounges or the home.

## FINISH

The underside of the tabletop is lacquered glass. Available in black or white lacquer with a polished edge or silver lacquer with a matt-polished edge. The tabletop edge is slightly bevelled. The underside of the tabletop has four discs where the legs are to be attached. The base is silver, black or white lacquered steel with transparent leg buttons.

## VARIANTS

Black, white or silver-lacquered glass tabletop.  
Walnut is also available for the JL60 table.

## DIMENSIONS

JL50:

Height 37 cm  
Diameter 100 cm

JL60:

Height 46 cm  
Diameter 75 cm

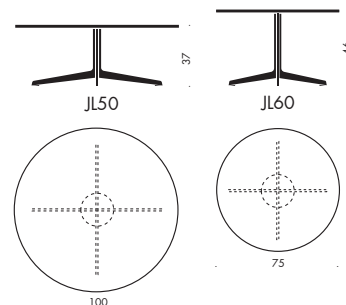
## MAINTENANCE

Clean the table by wiping it with a clean cloth. Clean tabletop as needed with ordinary glass cleaner. Never use anything abrasive or sharp objects.

The lacquered table base can be wiped with a dry or moist cloth and then dried off with a dry cloth.

## ENVIRONMENTAL FRIENDLINESS AND TESTING

The chair can be completely disassembled into parts to be recycled or incinerated. EN 1730: strength, durability and stability, level 4 according to DS/INF 131. DS/INF 132: surface resistance, level 5.



# SPACE

## GUARANTEE

A five-year guarantee against manufacturing defects in standard products (materials and workmanship). Wear, tear and damage to the product is not covered under this warranty. Claims from end users under the guarantee must be submitted to the vendor from whom the product was purchased. All measurements are indicative.

## PACKAGING

The tabletop comes in a wooden crate and the table base in a cardboard box. The table is assembled using four screws and the enclosed spanner; follow assembly directions. All measurements are for guidance only.

### Tabletop packaging

Height:	12 cm
Width:	105 cm
Depth:	105 cm
Total weight:	40 kg

### Table base packaging

Height:	39 cm
Width:	62 cm
Depth:	62 cm
Total weight:	11 kg

June 2008

Fritz Hansen A/S® - This documentation and the products and designations shown therein are protected by statute, including the Danish Copyright Act, Trade Mark Act and Marketing Practices Act, and may not be used with prior written authority from Fritz Hansen A/S. Parties in breach of the rights of Fritz Hansen A/S may become liable for damages, or a fine or imprisonment may be imposed as a consequence thereof.

**HEADQUARTER:** DENMARK - Allerød

**SHOWROOMS:**

DENMARK - Allerød | GERMANY - Düsseldorf | HOLLAND - Amsterdam | ITALY - Milano | JAPAN - Tokyo | NORWAY - Oslo | SWEDEN - Stockholm | SWITZERLAND - Baar | UNITED KINGDOM - London | U.S.A. - New York

**Contact and further information at [www.fritzhansen.com](http://www.fritzhansen.com)**